

GPS Radiosonde

RS-11G



Outline

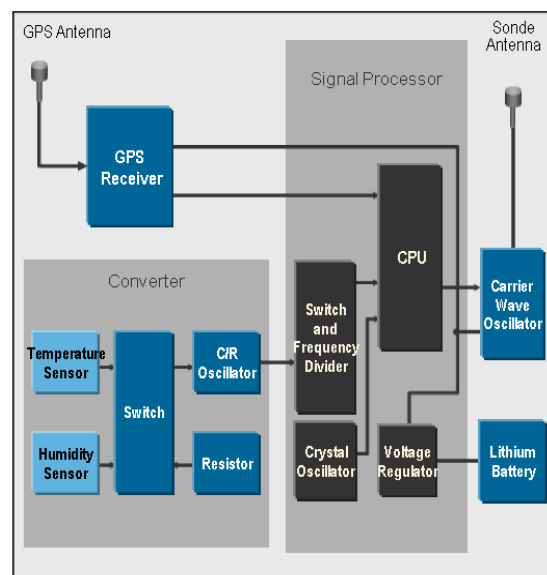
GPS radiosonde is an upper-air sounding instrument flying with weather balloon. As the balloon ascends, radiosonde measures variety of meteorological data; wind speed, wind direction, pressure, height, temperature and humidity. Wind speed, wind direction and pressure are calculated from the travel speed and altitude obtained by GPS information. Temperature and humidity data are obtained from dedicated thermistor and electrostatic capacitance humidity sensor, respectively. Measured data are transmitted to ground receiving system every second using 400-406 MHz band.

Redesigned sensor boom achieves higher accuracy in temperature measurement. Also, newly developed high response humidity sensor enables more accurate humidity measurement even in low temperature environment. RS-11G enables various kinds of soundings through expansive interfaces, such as MTR (16 Hz temperature sampling), CFH (Cryogenic Frostpoint Hygrometer), Radioactivity sonde, ECC Ozone sonde, Cloud Particles Sensor (CPS), etc.

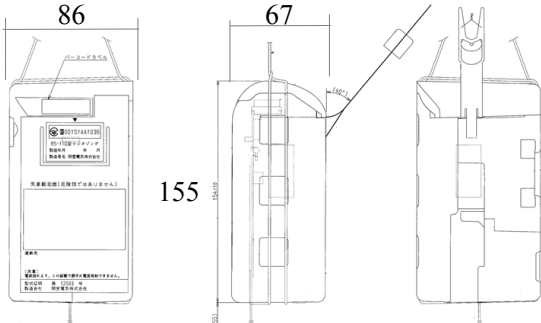
Features:

- Improved temperature and humidity sensor with high accuracy for upper-air sounding
- Redesigned rain-resistant cap for humidity sensor improves more accurate humidity measurement even in low temperature environment.
- One lithium battery enables more than 3 hours sounding operation.
- Equipped with SBAS receiver
SBAS for GPS positioning improves measurement performance.
- High stability transmitter complying with ETSI (EN 302 054 V1.1.1)
- Safe operation
Lightweight RS-11G (85g: Including a battery) enhancing safety with reduced risk of accident when it falls down.
- A/D 5ch and serial port supporting various special sensors; ECC, CFH, MTR, CPS, etc.
- Capable of using ground receiver RD-08AC and sounding software MGPS-R

Block Diagrams



Specifications

Temperature	Measurement range	-90°C to +60°C	Transmitter	Center freq.	404.5 MHz
	Resolution	0.1°C		Tuning range * ²	400 MHz to 406MHz
Humidity	Uncertainty *(a)	Daytime	Modulation	Band width	< 15 kHz
		0.5°C : Troposphere		Output power	< 100 mW
	0.8°C : Stratosphere	Transmitter type		FM	
	Nighttime	Standard		EN302 054 V1.1.1	
Pressure * ¹	Response time	<0.4 s (1,000 hPa, 5 m/s)	Power	Modulation type	Digital PCM
	Measurement range	0%RH to 100%RH		Baud rate	1,200 bps
		0.1%RH		Range	< 250 km (with Yagi antenna)
Uncertainty *(b)	5%RH: Lower Troposphere	7%RH: Upper Troposphere	Sampling	1 sec. or 0.5 sec.	
Geopotential Height of significant level * ¹	Response time	< 0.2 s (Absorbing, 1,000 hPa, 6 m/s, 0°C)	I/F for additional sensor (Optional)	Voltage	3.0 VDC
	Resolution	< 14 s (Absorbing, 1,000 hPa, 6 m/s, -60°C)		Current	< 240 mA
		1050.0 hPa to 3.0 hPa		Battery type	Lithium battery × 1 (CR-123)
	Uncertainty *(c)	1.2 hPa: Surface	0.5 hPa: 15 km	Operating time	> 200 min.
Wind Direction * ¹	0.2 hPa: 30 km	Size & Weight * ³	AD port × 5 channels	Dimensions	86(W)×67(D)×155(H) mm
	Measurement range		0 deg to 359.9 deg		Serial port × 1 channel,
	Resolution		0.01 deg	Weight	85 g (Including a battery)
Wind Speed * ¹	Uncertainty *(d)	2 deg	Outline View Unit (mm)		
	Measurement range	0.00 m/s to 200.0 m/s			
		Resolution			
Uncertainty	2 m/s Troposphere 3 m/s Stratosphere				
GPS Receiver	Frequency	1574.25 MHz ± 1MHz			
	Number of channels	12 parallel channels			
	Positioning Technology	DGPS (SBAS)			
Usage Environment	Pressure	1050.0 hPa to 3.0 hPa			
	Temperature	-90°C to +60°C			
	Humidity	0%RH to 100%RH			

Note

*1) The accuracy of GPS positioning is dependent on the satellites's location and the reception level.

*2) Frequency can be changed every 100 kHz within the tuning range of 400 MHz and 406 MHz. Applicable Radio Law/Regulations should be complied.

*3) Dimensions excluding antenna and sensor boom. Weight includes a battery, etc.

Uncertainties are calculated on assumption that observation made under the ordinal weather conditions in the mid-latitude region.

*a) Evaporative cooling effect emerging from a cloud is not considered.

*b) Contamination due to rainy condition is not regarded.

*c) Under optimal conditions of GPS reception: PDOP=1

*d) Conditions under moderate wind: <5 m/s are not calculated.

Cautions

- For safe and correct usage, please read the "Operation Manual" prior to the use of the products.
- The specifications and appearances might be changed without prior notice, which please understand.
- The specifications shown in the catalog are of our standard products. We are pleased to customize it to meet customer's requirements. For the details, please contact us.
- Please understand in advance that our company cannot assume the responsibility of any claims made by the third party about any monetary damages or any loss of profits arising out from the use of our products.
- The color of the product photography on catalog might be different from that of actual product because of printing.

meisei electric co.,ltd.

1-1, Toyosu 3-chome, Koto-ku, Tokyo 135-8115, Japan
 Tel: +81-3-6204-8254 Fax: +81-3-6204-8888
 Mail: global@meisei.co.jp <http://www.meisei.jp/sonde/>
 Global Marketing Gr.

The specifications this catalog are current as of September 2018.

No. MSPA4-033

IHI GROUP
 Realize your dreams